

LOWERED ENTRY



B|Open

**for Mercedes-Benz
Sprinter**



- ◆ Always in operation. No technical defects possible
- ◆ Quick installation: complete entry step within 2 hours



B|STYLE

MOBILITY SOLUTIONS



Low entry for the Mercedes-Benz Sprinter

The B-Open, a low entry step for the Mercedes-Benz Sprinter, makes it easy to enter at the front of the vehicle. This is the ultimate addition to the B-FiT floor system, making it easier for passengers to enter. The B-Open can, of course, also be used without B-FiT.



Group transport with Mercedes-Benz Sprinter

In group transport, where there is frequent boarding and disembarking, a low entry is a big plus. Due to the literally lower entry step (25 cm from the floor), the passenger makes a smaller step and there is no need to bend over, because the door opening is larger. This makes it much easier for passengers to enter the Sprinter.



Robust low entry

The entry step is made of a very durable plastic, so it cannot rust. It is also light (11 kg) and is built into the Sprinter. First a piece is cut out of the chassis, to make room for the B-Open. The low entry itself is robust, and because it is inside the vehicle, it is protected from the elements.



Sprinter seating arrangement

The B-open low entry is installed at the right front, behind the front passenger's door. The front right-hand seat is sacrificed for this, for good reasons. This makes it easier for the passengers to board, as it creates a completely flat floor. More importantly, there is no need to have a sliding door, and this allows an extra seat to be placed in the passenger compartment.



Complete conversion kit

All the parts you need for the conversion are supplied with the B-Open. This includes a wear-resistant, rubber anti-slip mat that covers the floor of the front compartment and a door extension to close off the low entry. To protect the B-Open and give the passengers grip, there is vinyl and an aluminium strip with LED on each step. Sealing rubbers, mounting hardware and a detailed instruction manual are also included.



Perfect with B-FiT

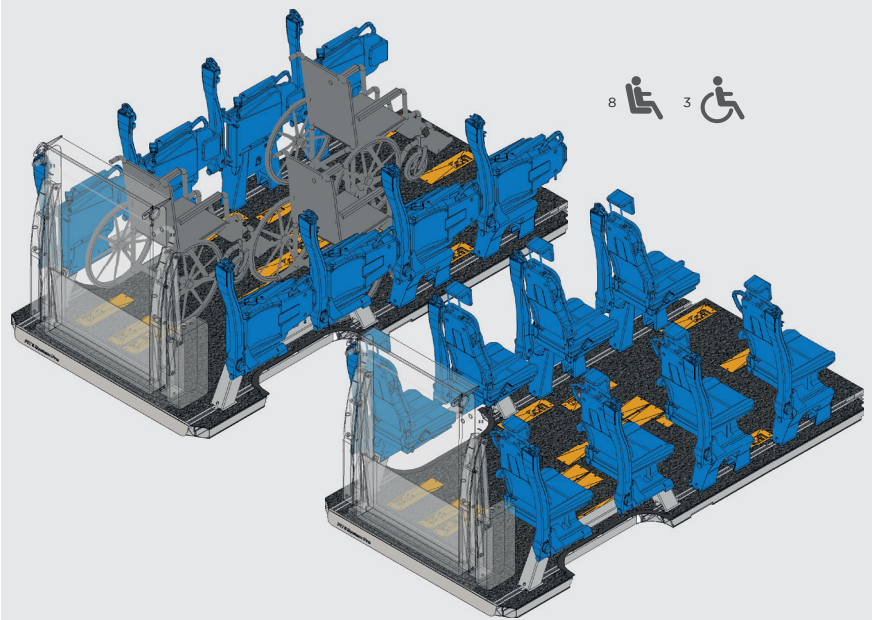
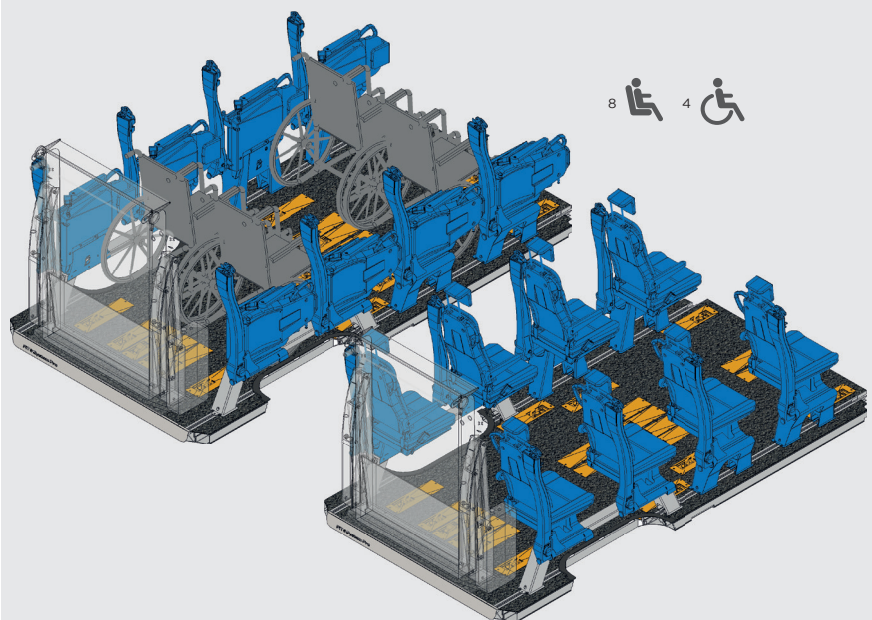
Make the most of the B-FiT floor system. You can use 8 tip-and-turn seats instead of 7, in combination with the B-Open lowered entry and no sliding door. For a detailed floor plan, please see page 3 of this brochure.



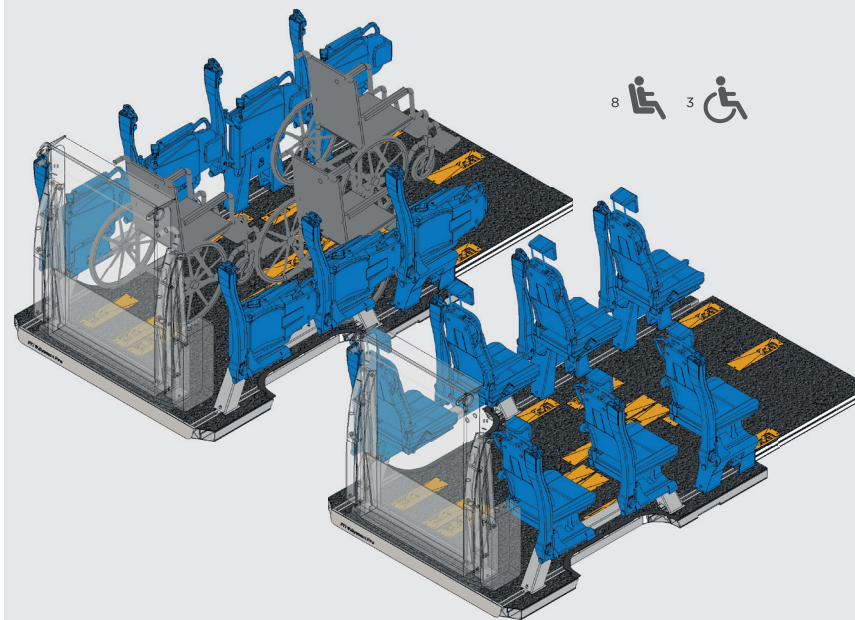
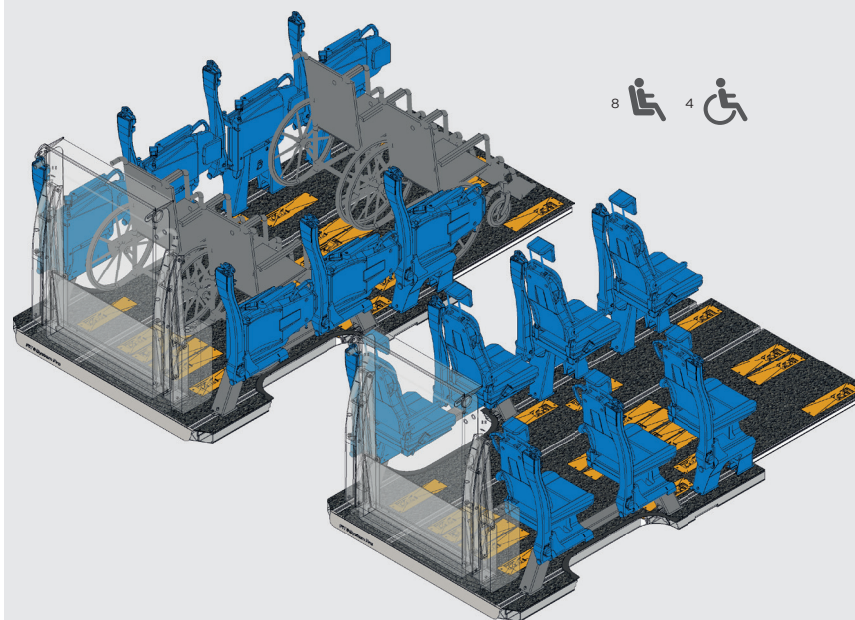
B|STYLE

CREATE A BIGGER WORLD

No sliding door, with B-Open lowered entry

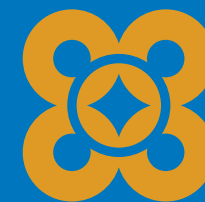


With sliding door



Lowered entry

The B-Open makes it easy to enter at the front of the vehicle and you make the most of the B-FIT floor system.



B|STYLE

CREATE A BIGGER WORLD



Lowered entry in the front (LHD)



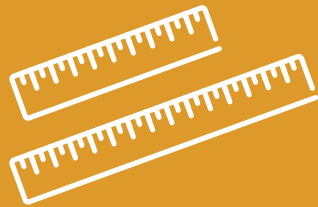
Built-in quickly (2 h)



No welding required



Step-by-step installation manual



Suitable for all lengths



Mercedes-Benz VanPartner



Extra seat to be placed in the passenger compartment



Suitable with B-FiT



**- Whole Vehicle Type Approval
- Certificate of conformity**



B-style

+31 418 638200
info@b-style.nl

Take a look at our other products at b-style.eu.



B|STYLE

CREATE A BIGGER WORLD